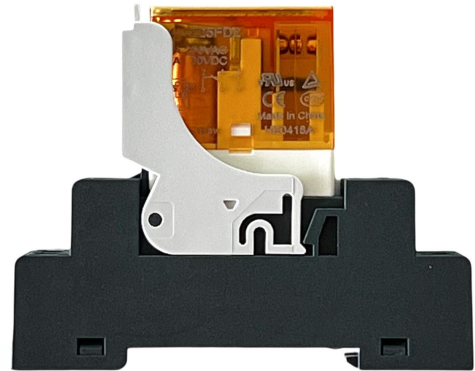


# Relay, 12A

DIN relay 12A, replaceable, short-term load 16A. 24VDC coil, AgSnO<sub>2</sub> material. Operating temperature -40°C to 70°C.



## Quick Facts

Dimensions	18 × 59 × 58 mm
Operating temperature	-40 ... 70 °C
IP rating	IP20

Relay 1DIN, replaceable, long-term load 12A, short-term 16A. 24VDC on the coil.

Order Code	OC-RELAY-16A-DIN-HF
EAN	 8586022937873

## Technical Specifications

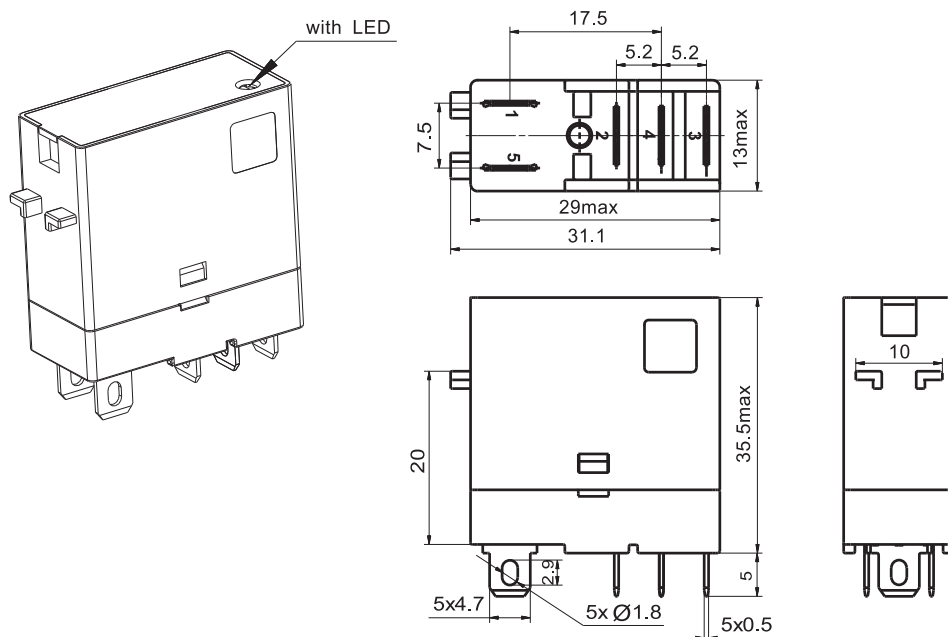
ELECTRICAL	
Power consumption	0.53 W
Connection	DO (digital output) → relay contact
OUTPUTS	
Max. switching load	12 A / 250 VAC

### Relay: HF157F / 24-1Z25FD2

- Contact material AgSnO<sub>2</sub> Alloy
- Without button
- Coil power 0.53W

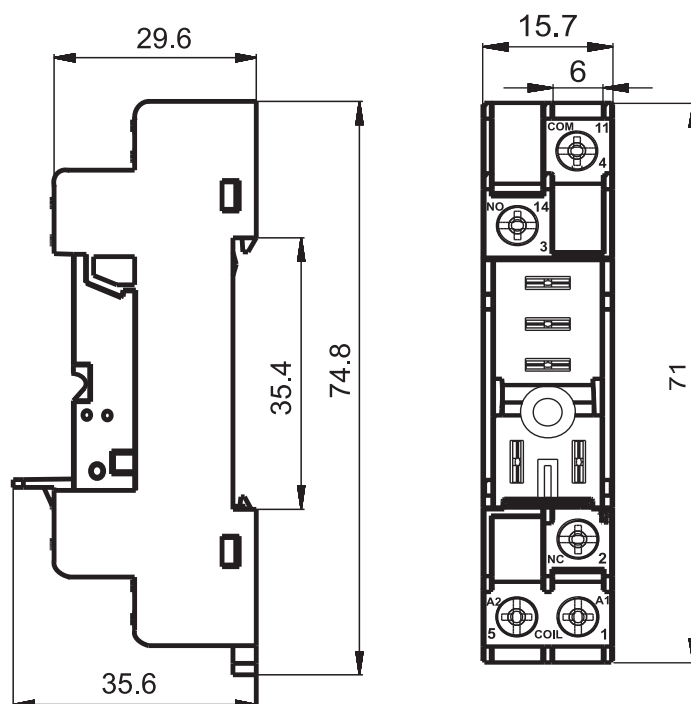
- Contact rating: 12A, 250VAC / 30VDC
- Operating temperature: -40°C - 70°C
- Operating humidity: 5% - 85% RH

### Dimensions

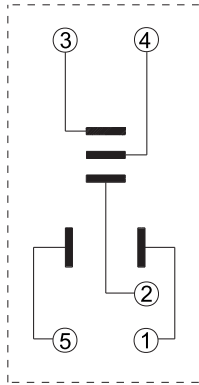


### Socket: 157F-1Z-C2

### Dimensions



## Wiring



More info in attached PDF file.



Product page

[https://hardware.taphome.com/  
relay2/](https://hardware.taphome.com/relay2/)

